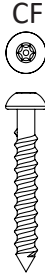


ACCESSORY Selection Guide

Correctional Installation Anchor Types, Surface Boxes & Mounting Components



Anchor Selection

- 1.5" long, Round Head, Spike Anchor (SA)
- Removable, Tamper-proof Bolt (TB)
For concrete using Torx T27
- Removable, Tamper-proof Screw (CF)
For cinder blocks using Torx T27



- Hammer Drill Install Tool
- Spike Anchor Extraction Tool
Designed by Shat-R-Shield for removal of round spike anchors



Surface Box Specs	
Material	14 Gauge Steel
Coating	Powder Coated with Polyester TGIC

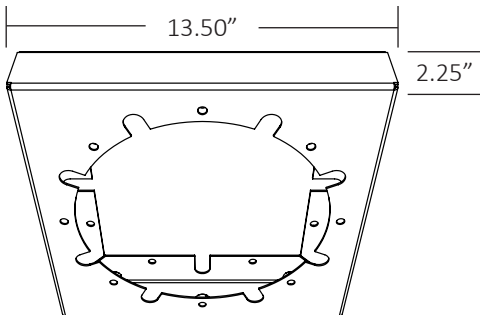
Surface Box Accessory

Enclosure housing for electrical connections

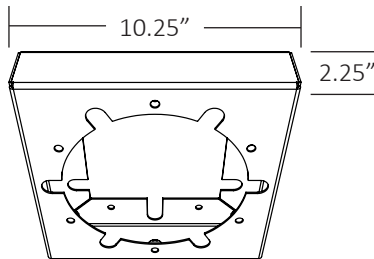
Surface boxes protect the electrical connections from damage, as well as any self harm and accidental shocks. Sometimes these boxes can cover existing connections and any structural damage to ceilings, walls, etc.

Surface Box Dimensions

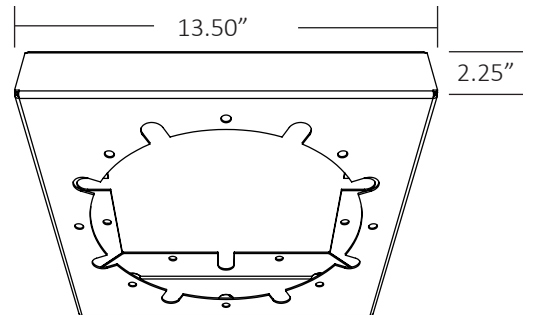
A. VR Pro™ Surface Box



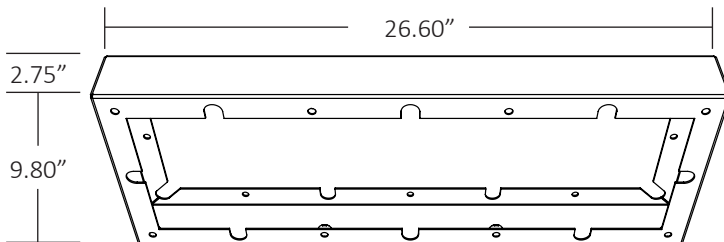
B. H2O Pro™ Surface Box



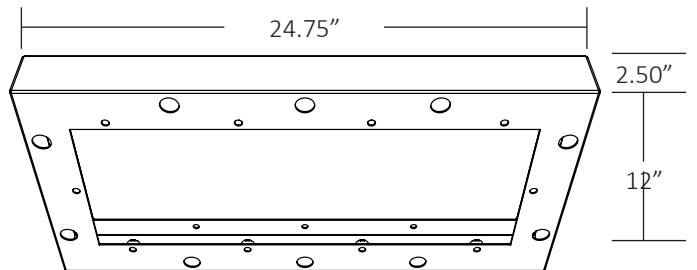
C. G.D.A Surface Box



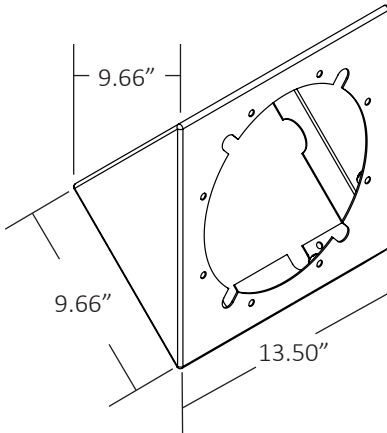
D. Linear Pro™ Surface Box



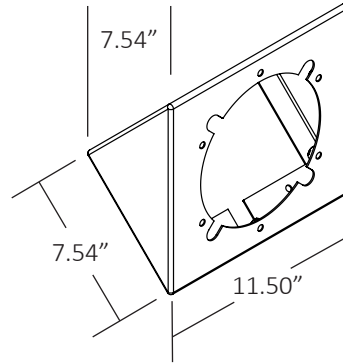
E. G.D.L Surface Box



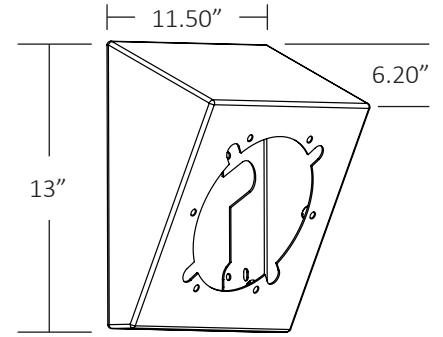
F. VR Pro™ Corner Box



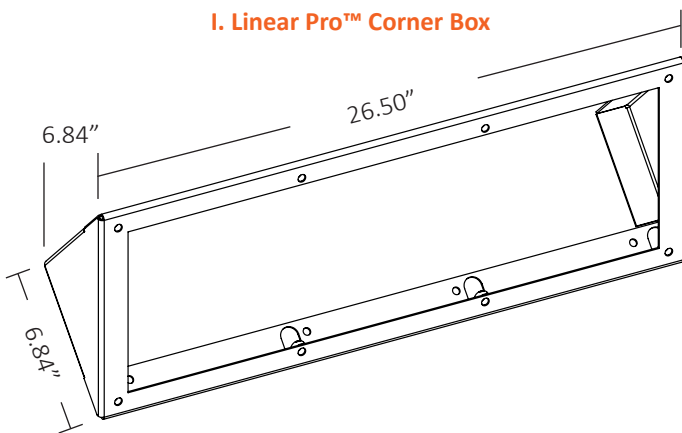
G. H2O Pro™ Corner Box



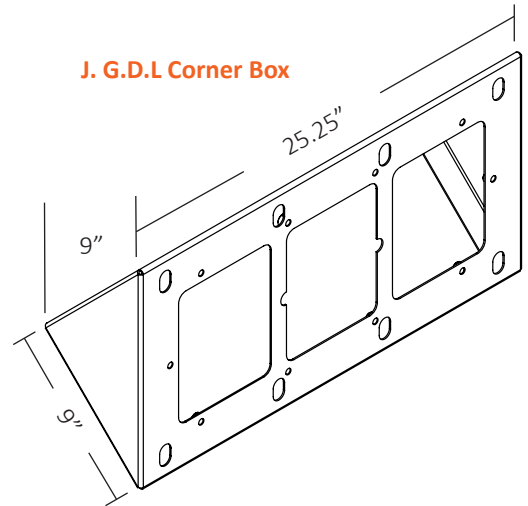
H. H2O Pro™ Down Light Box



I. Linear Pro™ Corner Box



J. G.D.L Corner Box



Surface Box Renderings

Fig. A



Fig. B



Fig. C



Fig. D



Fig. E



Fig. F



Fig. G

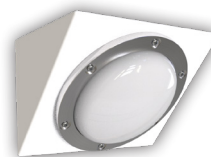


Fig. H



Fig. I



Fig. J

